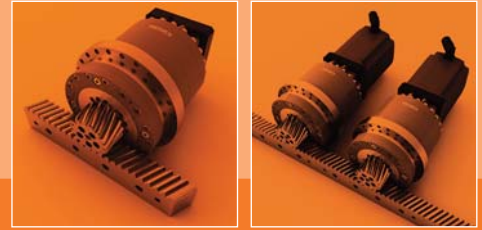


Planetary
Servo-reducer
SRP Jumbo Sizes

NEW

Range Overview





SRP

Planetary Servo-reducer

Jumbo Sizes for SRP Family

Universal splined flange + high-tech planetary reducer + sizes and performance at their highest.

> Jumbo sizes makes it all

Flexibility, versatility and high performance in one package.

SRP comes as a concept-drive offering designers a ready-to-use complete machine tool sub-assembly.

SRP has the highest bearing capacity on the market, allowing hi-dynamic motion control.

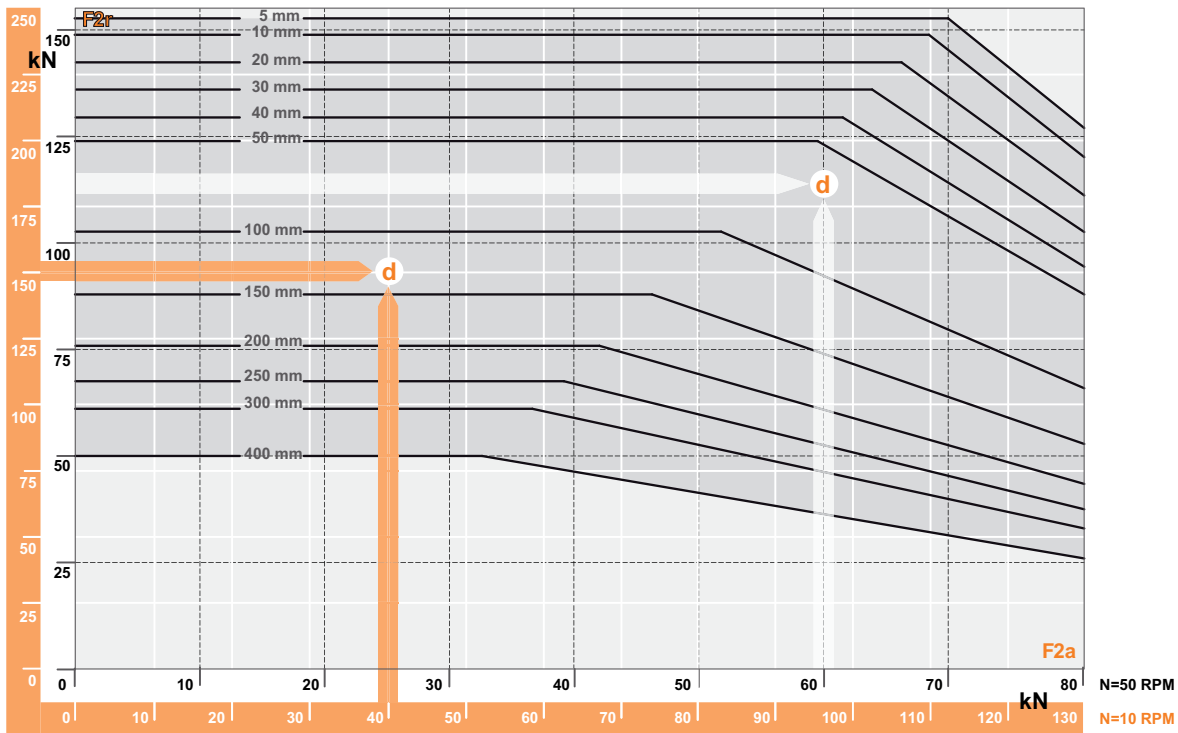
- > Universal splined flange offering the highest compound stiffness on the market
- > Extra high tilting moment for high load applications
- > Rack and pinion Zero backlash electrical or mechanical preload available
- > 100% compliant with machine-tools quality manufacturing and testing standards



Planetary Servo-reducer



SRP Size 5

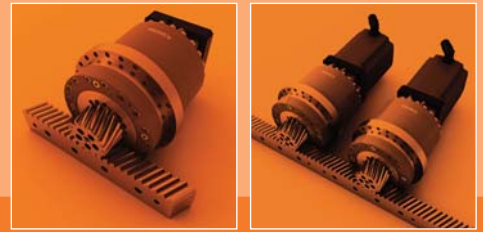


				M	R
Max. Output Acceleration Torque	T2B	Nm	1S	i=5, 7	-
			1S	i=10	-
			2S	i=21	7520
			2S	i=31	10050
			2S	i=46	8800
Nominal Output Torque	T2N	Nm	1S	i=5, 7	-
			1S	i=10	-
			2S	i=21	4700
			2S	i=31	6700
			2S	i=46	5500
E-Stop torque	T2NOT	Nm	All Ratios		11500
Torsional Stiffness	C2t	Nm/rd	1S	-	-
		Nm/arcmin	1S	-	-
		Nm/rd	2S	3 420 000	
		Nm/arcmin	2S	995	
Tilting Stiffness	C2K	Nm/rd	133 115 000		
		Nm/arcmin	38 721		

Technical features

1S > 1 Stage - 2S > 2 Stages

REDEX



Bearing capacity

As shown on opposite page - with output speed = 50 RPM*

With

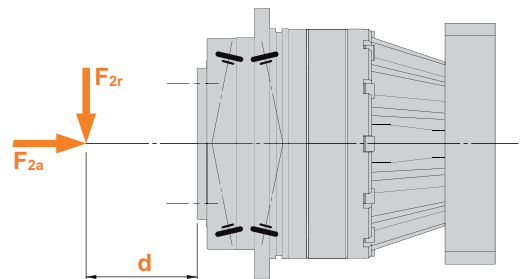
F_{2a} = 60 000 N (axial force)

F_{2r} = 117 000 N (radial force)

the distance between the force application point and the flange : d
 can be up to 75 mm to keep the lifetime L_{h10} over 20 000 hours

For detailed calculation, please consult us

*Data also available for 10 RPM on opposite graph



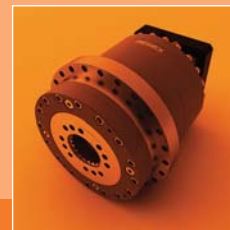
				M	R
Max. continuous Input Speed	n1N	RPM / tr/mn	1S 2S	- 1000	-
Max. cyclic Input Speed	n1B	RPM / tr/mn	1S 2S	- 4000	-
No-load running Torque (n1 < 100tr/mn)	T01	Nm	i=5 i=31	- 4	- 5.2
Torsional backlash	jt	arcmin	Standard	< 3	< 4
Max Tilting Moment	T2K	Nm	All Ratios		30 000
Max. Axial Load	F2A	N			80 000
Mass Moments of Inertia	J1	Kg.mm ²	1S 2S	- 3235	- 17958
Efficiency at rated input speed	η	%	1S 2S	- > 93	- > 91
Weight	m	Kg	1S 2S	- 334	- 430

1S > 1 Stage - 2S > 2 Stages

Dimensions and main data for information only - Please consult us and / or refer to Product Datasheets - For accurate selection, contact your local supplier

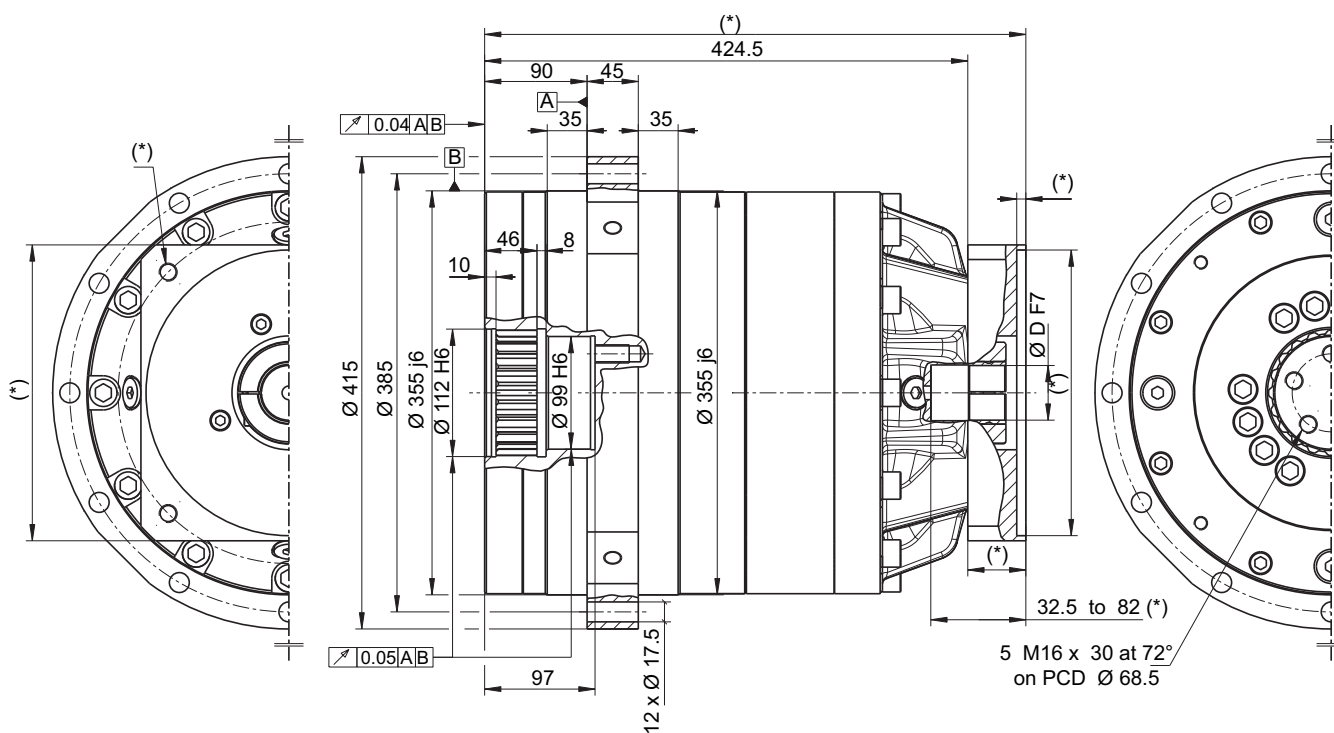
REDEX

Planetary
Servo-reducer

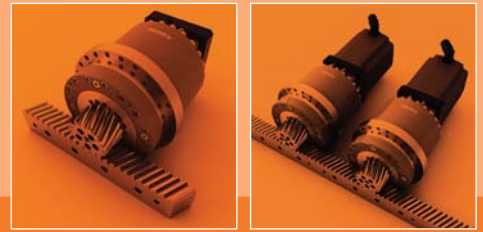


SRP Size 5

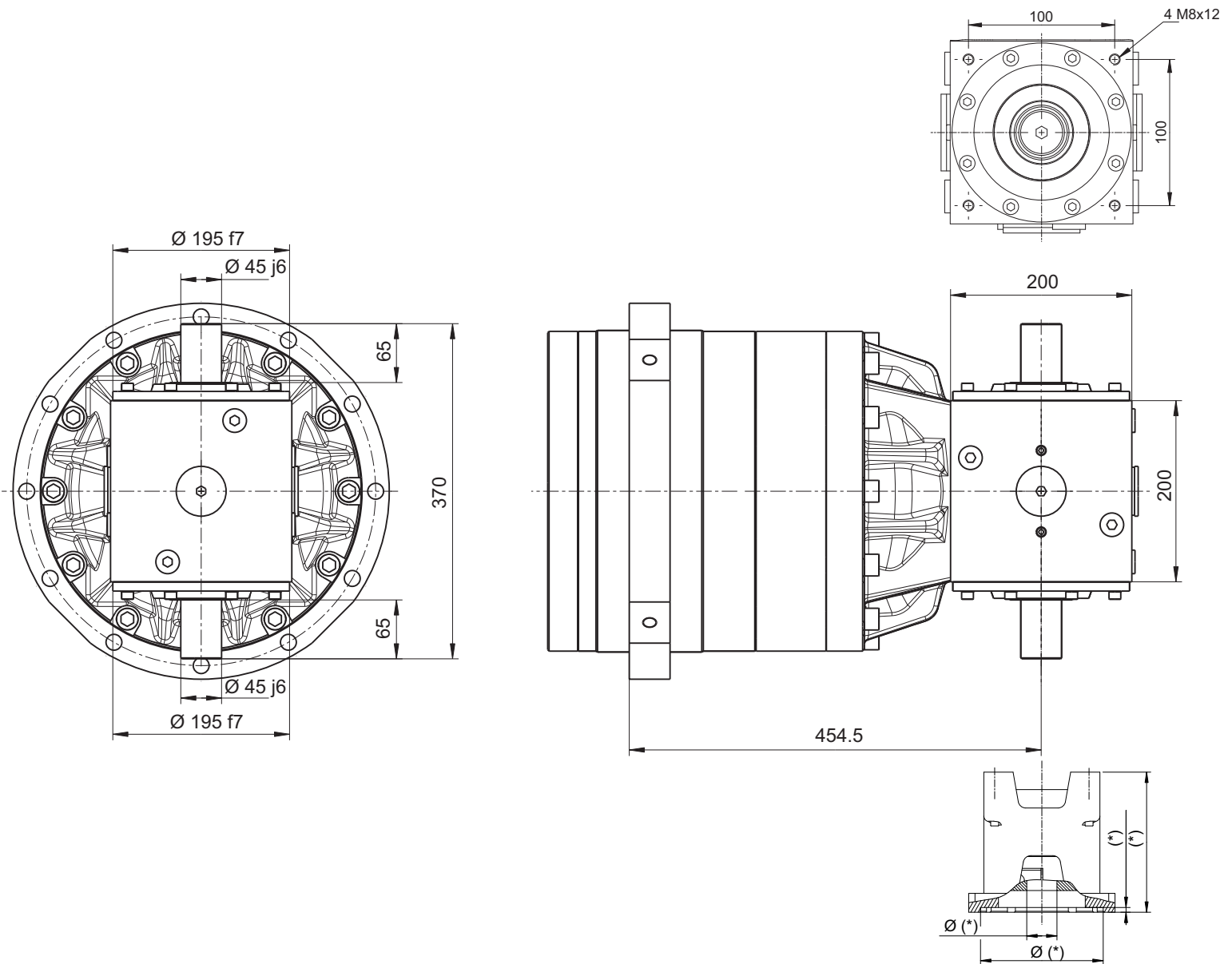
Inline version M



INVOLUTE SPLINE
ACCORDING TO DIN 5480 - 110x20x5 - 6H



Right-angle version R



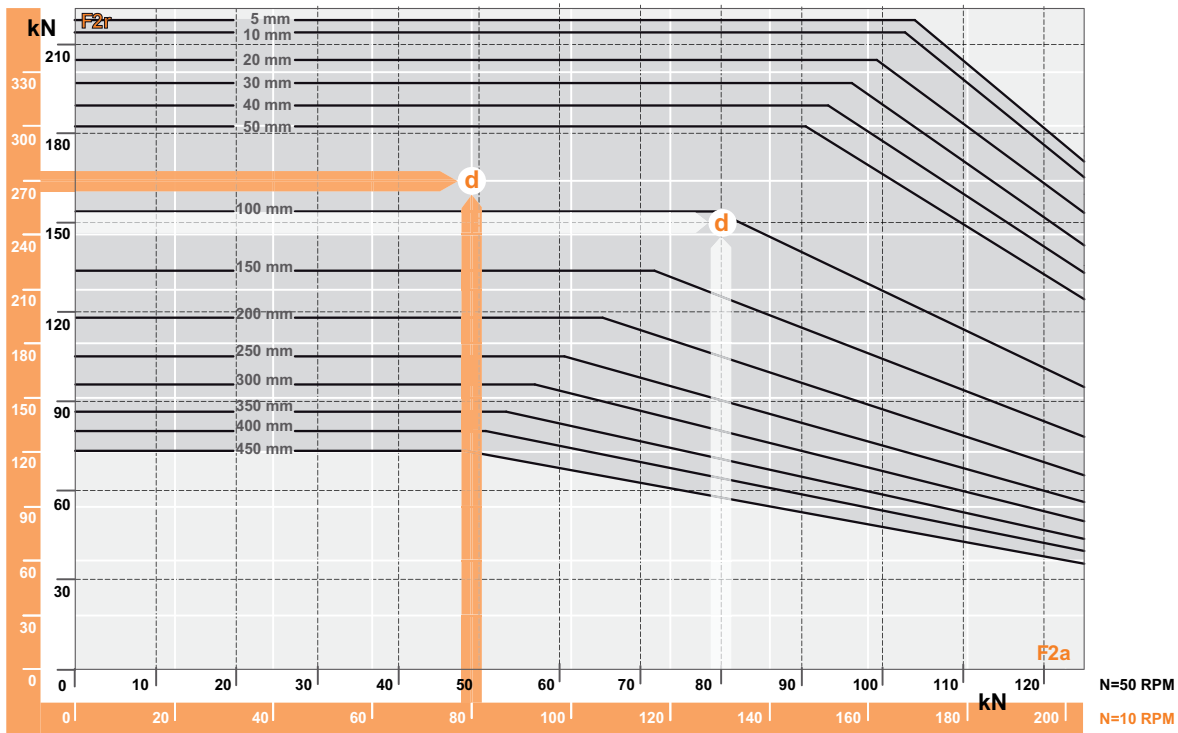
(*) according to motor's data

REDEX

Planetary Servo-reducer



SRP Size 6

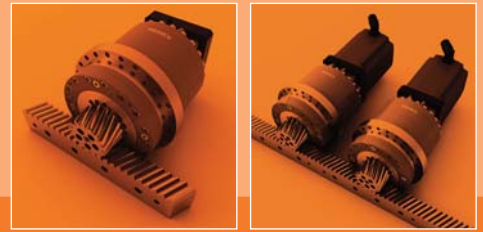


				M	R
Max. Output Acceleration Torque	T2B	Nm	1S	i=5, 7	-
			1S	i=10	-
			2S	i=21	16585
			2S	i=31	18590
			2S	i=46, 91	17128
Nominal Output Torque	T2N	Nm	1S	i=5, 7	-
			1S	i=10	-
			2S	i=21	10700
			2S	i=31	14300
			2S	i=46, 91	11050
E-Stop torque	T2NOT	Nm	All Ratios		19060
Torsional Stiffness	C2t	Nm/rd	1S	-	-
		Nm/arcmin		-	-
		Nm/rd	2S	5 500 000	
		Nm/arcmin		1600	
Tilting Stiffness	C2K	Nm/rd	254 750 000		
		Nm/arcmin	74104		

Technical features

1S > 1 Stage - 2S > 2 Stages

REDEX



Bearing capacity

As shown on opposite page - with output speed = 50 RPM*

With

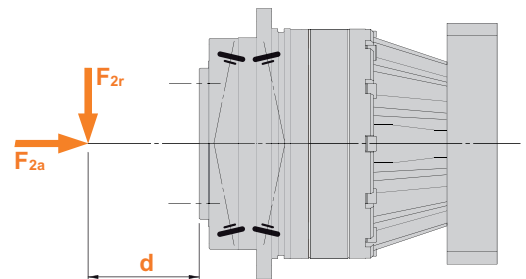
F_{2a} = 80 000 N (axial force)

F_{2r} = 150 000 N (radial force)

the distance between the force application point and the flange : d
 can be up to 110 mm to keep the lifetime L_{h10} over 20 000 hours

For detailed calculation, please consult us

*Data also available for 20 RPM on opposite graph



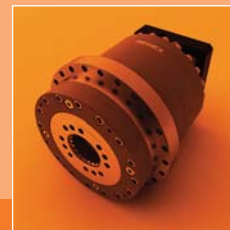
				M	R
Max. continuous Input Speed	n1N	RPM / tr/mn	1S 2S	- 800	-
Max. cyclic Input Speed	n1B	RPM / tr/mn	1S 2S	- 3500	-
No-load running Torque (n1 < 100tr/mn)	T01	Nm	i=5 i=31	- 5	- 6
Torsional backlash	jt	arcmin	Standard	< 3	< 4
Max Tilting Moment	T2K	Nm	All Ratios		48 000
Max. Axial Load	F2A	N			37 900
Mass Moments of Inertia	J1	Kg.mm ²	1S 2S	- 15703	- 47911
Efficiency at rated input speed	η	%	1S 2S	- > 93	- > 91
Weight	m	Kg	1S 2S	- 510	- 635

1S > 1 Stage - 2S > 2 Stages

Dimensions and main data for information only - Please consult us and / or refer to Product Datasheets - For accurate selection, contact your local supplier

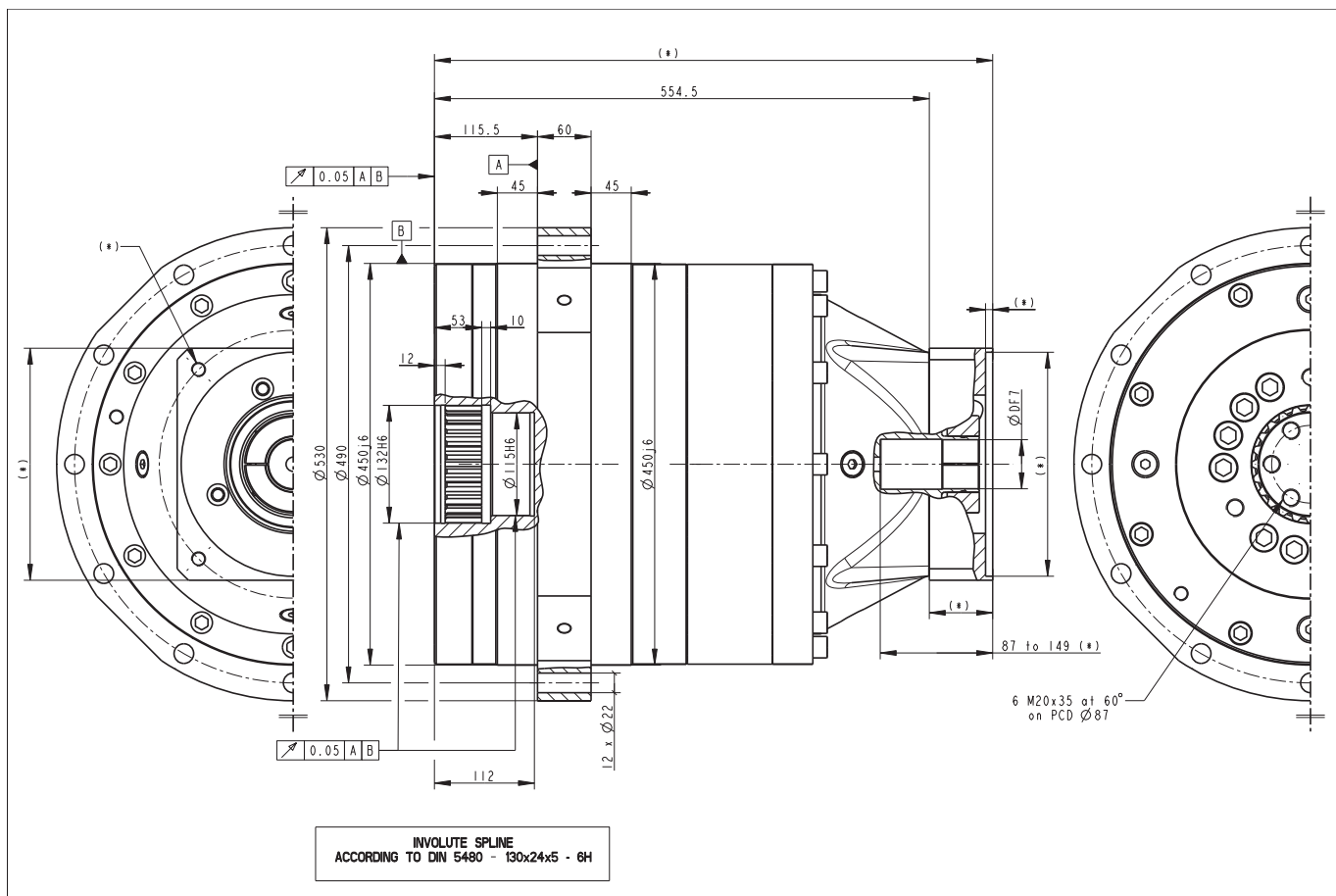
REDEX

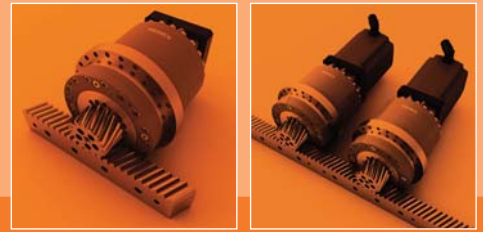
Planetary Servo-reducer



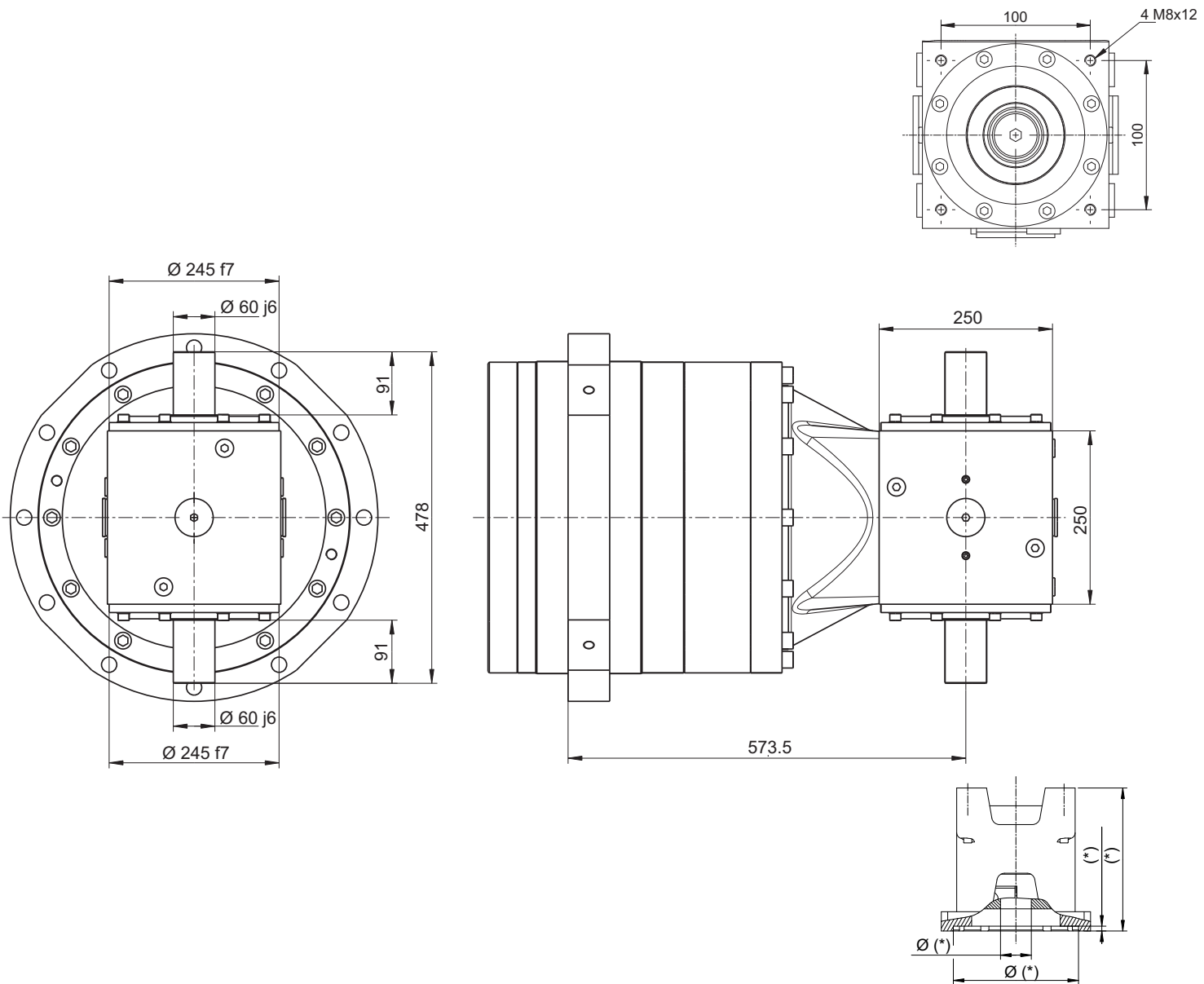
SRP Size 6

Inline version M





Right-angle version R



(*) according to motor's data

REDEX

info@machine-tool-drives.com
www.machine-tool-drives.com

REDEX
The Machine Tool Drives Company